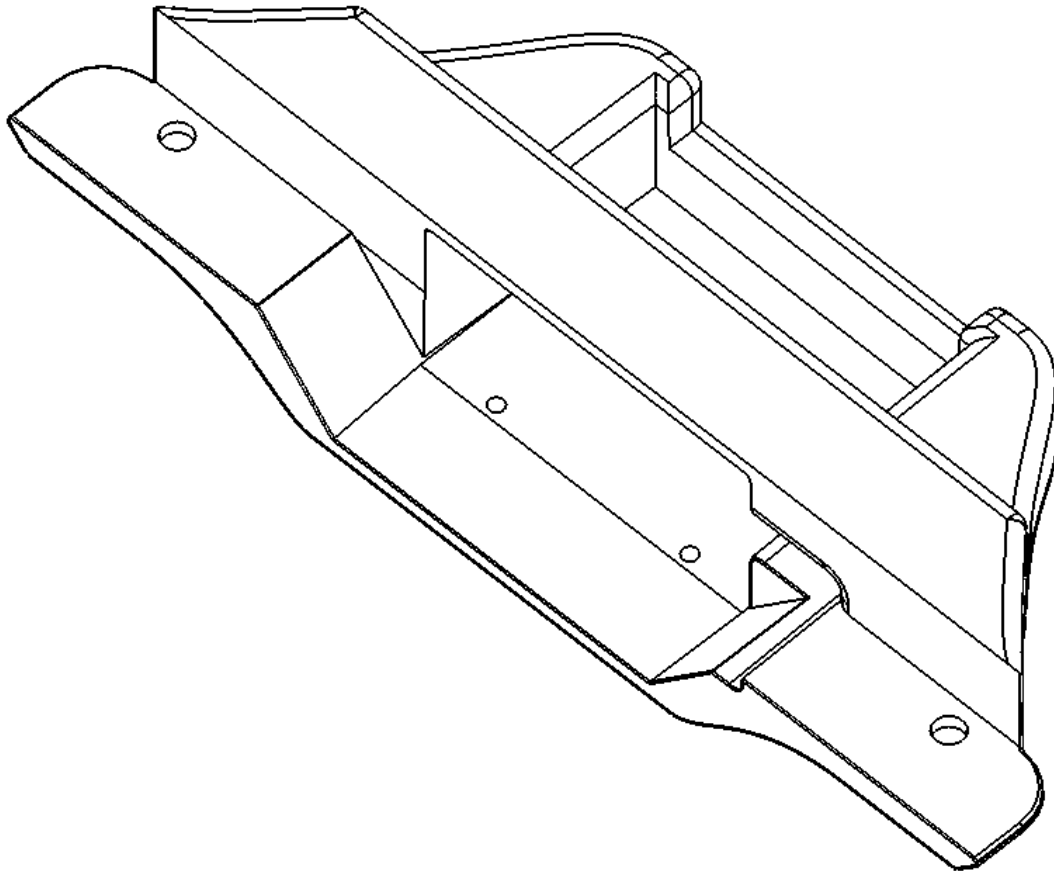


PRO eDynamo bracket

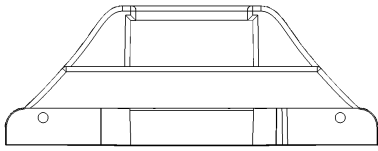
Assembly Instructions

PRO-EDBT



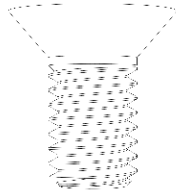
Parts Included

eDynamo bracket



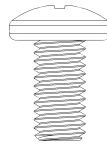
(1)

10-32x3/8
Flat Head



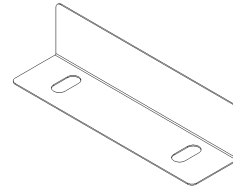
(2)

6-32x1/8
Pan Head



(2)

MSR L-bracket

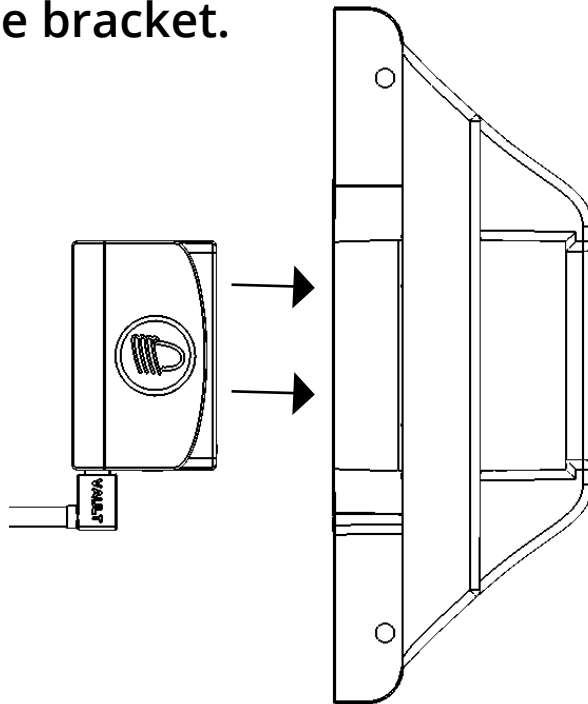


(1)

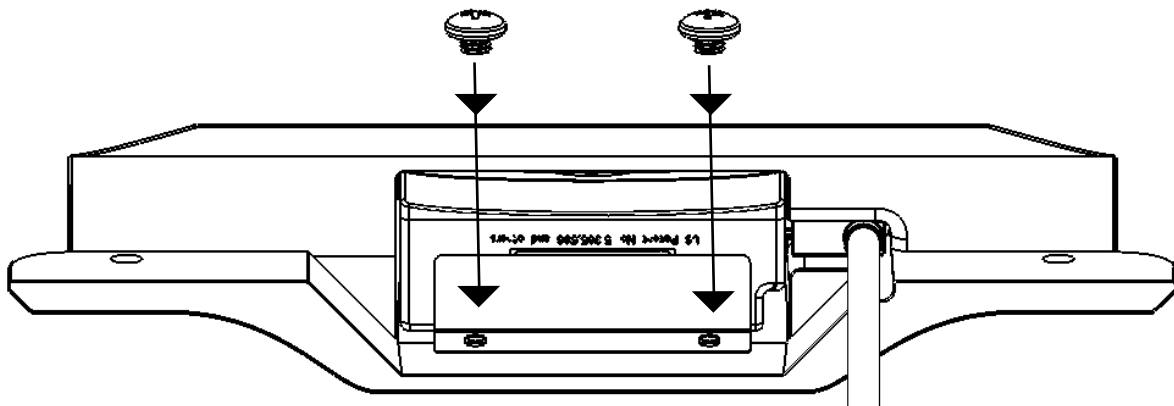
USB/iOS Y-Cable

(1)

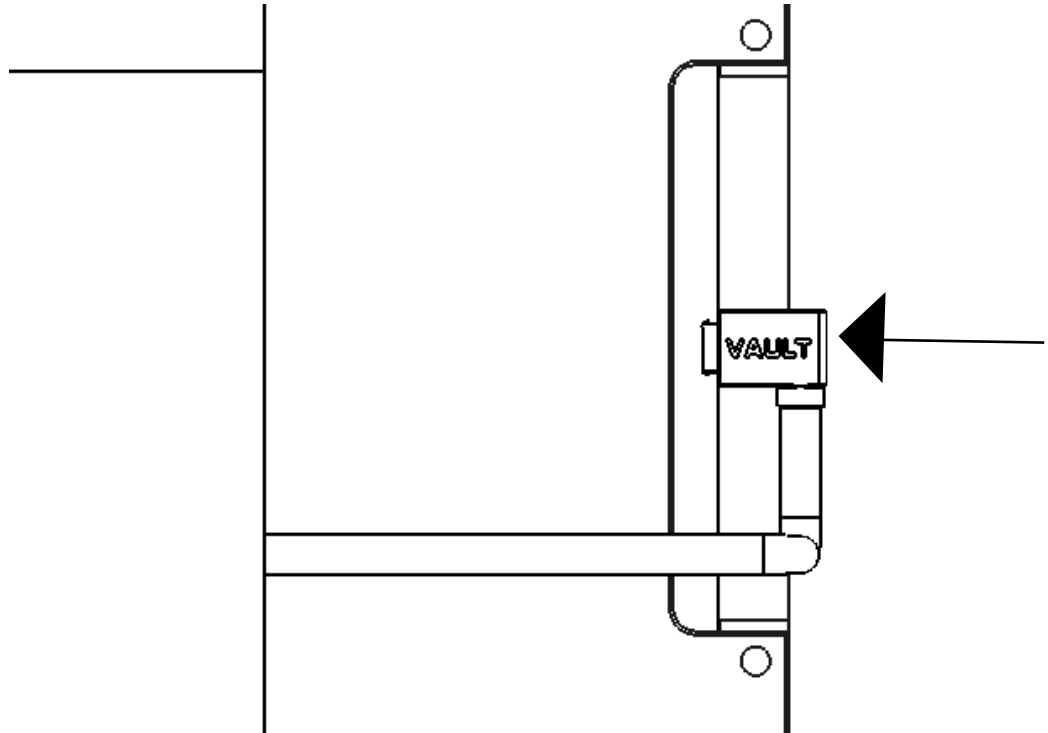
- 1 With the Micro USB cable connected, insert the card reader into the bracket.



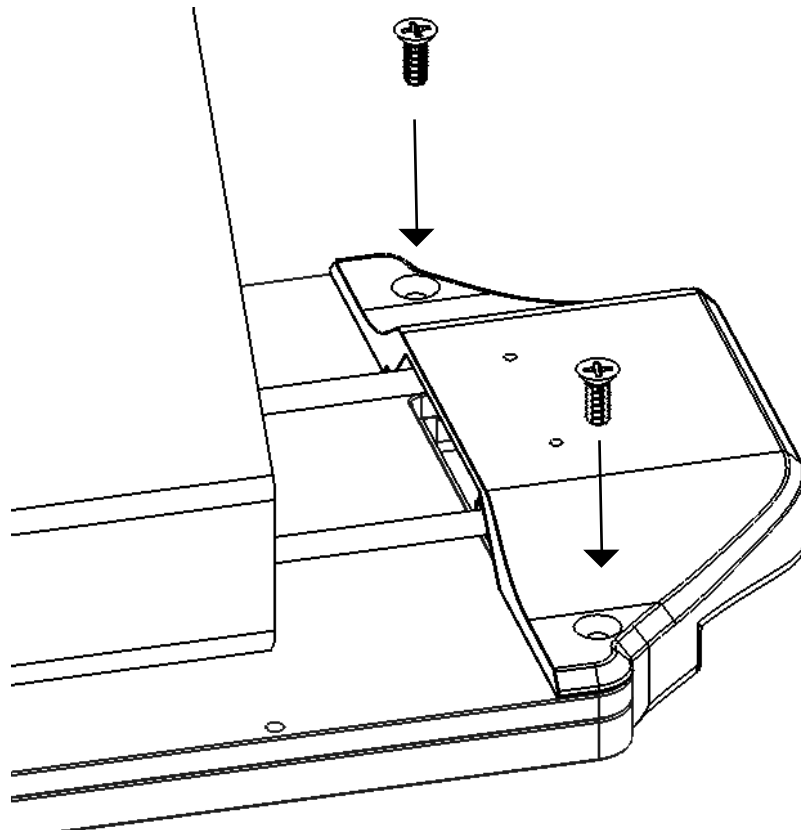
- 2 With the MSR inserted, install the L-bracket to secure the reader in place. Use the 6-32x1/8 screws.



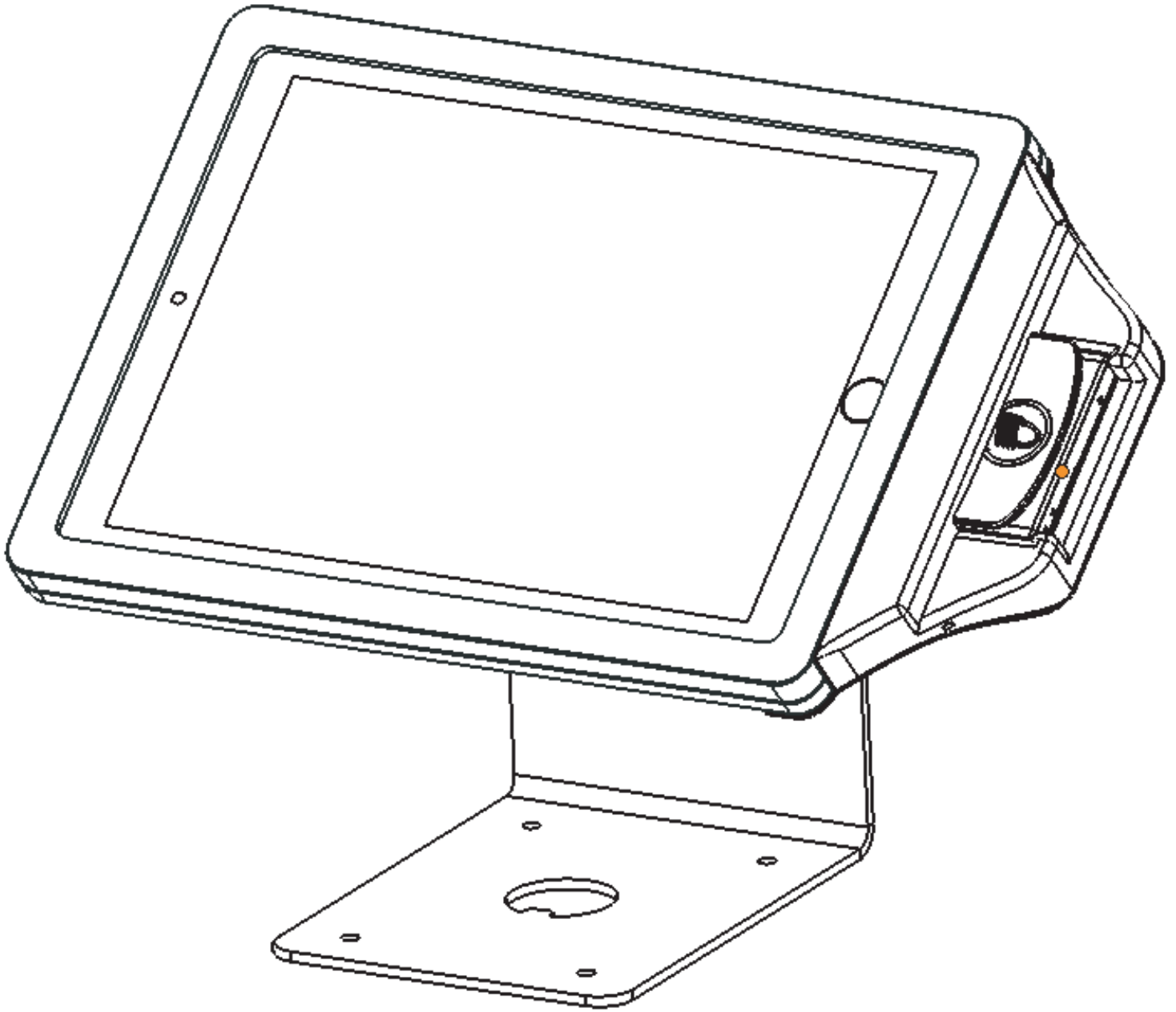
- 3** Next connect the iOS cable to the iPad. Ensure your iPad is already installed to your enclosure.



- 4** With your enclosure laying face down, align the bracket to the corresponding holes on the enclosure. Install using the 10-32x3/8 FH screws.



5 Assembly is now complete.



Warranty

This product comes with VAULT's Lifetime Warranty (cables are under 90 day warranty). All items are covered under this warranty with the following exceptions.

- Damage caused from misuse, abuse, neglect, acts of God.
- Lost parts or surface scratches from use or other actions.
- Stripped or broken screws, warped parts from misuse or improper installation.

All warranty claims should be submitted through the company that you originally purchased the product from. A receipt or other documentation showing date and location purchased will be required. Shipping to VAULT and return shipping to the end user are the responsibility of the end user. VAULT reserves the right to substitute a newer product or one of equal or higher value. If you should have any questions concerning this policy or other items, please contact VAULT at the address contained in this document.